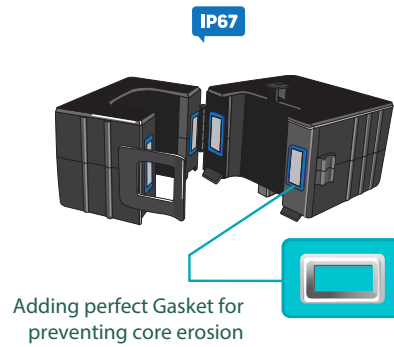




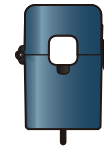
# PRECISION OUTDOOR USE SPLIT-CORE CURRENT TRANSFORMER JSXXL-XXX-5A series



UL US  
E344623 CE



## HOW TO USE 1



## 2



## 3



## 4



The JSXXL series Water proof Split Core Current Transformers are designed for assembly to an existing electrical installation without the need for dismantling the primary bus or cables. These current transformers are a water proof design suitable for use outdoor or in direct burial applications.

### APPLICATIONS

- Energy sub - meter
- Power meters
- Power quality monitoring
- HVAC&Pumps, etc
- Distributed measurement system

### FEATURES

- The mating surfaces of the transformer cores are protected by a rubber gasket.
- The transformer cases are UV stabilized thermoplastic.
- Water proof (IP67 or IP65 Option)

### BENEFITS

- Small-size, light-weight
- Simple Installation
- Over-Voltage protection circuit is installed.

### NOTICE

- Core contact surface is waterproofed, however if it gets rusty, you could reuse after removing rusts with spraying WD-40 or CRC5-56 on the rusted side
- Do not use any other chemicals except WD-40 or CRC5-56 on housing or any other parts
- Customizing output lead wire

### SPECIFICATION

|                             |                                      |
|-----------------------------|--------------------------------------|
| Accuracy                    | Class 0.5S / 1.0 / 3.0               |
| Output Terminals            | Twisted pair, 18AWG cable            |
| System Voltage              | 720V(0.72kV)                         |
| Overload withstand          | 1.2 times rated current continuously |
| Compliant with              | IEC/EN61869-2 & IEC61010-1           |
| Operating Temperature Range | -20°C to 55°C                        |
| Relative Humidity           | 0-85% non-condensing                 |
| Test Voltage                | 3kV for 1minute                      |
| Frequency Range             | 50/60Hz                              |
| Protection Level            | Bipolar 6.5Vp                        |
| Insulation Category         | CATIV 300VAC                         |



## CURRENT TRANSFORMER RATIOS / DIMENSIONS

### How to Order / Model Reference

eg **J S 2 1 L - 0 0 0 / 0 A**

|                              |                  |
|------------------------------|------------------|
| Model                        | <b>J S 2 1 L</b> |
| Primary Current              |                  |
| Select code from ratio table |                  |
| Secondary Current            | <b>5 A</b>       |

### Current Transformer Ratios

| Primary Current (A) | Metering Burden(VA) |         |         |      | Code |
|---------------------|---------------------|---------|---------|------|------|
|                     | cl. 0.5S            | cl. 1   | cl. 3   | Code |      |
|                     | cl. 0.6             | cl. 1.2 | cl. 2.4 |      |      |
| 100                 |                     |         | 1.5     | 100  |      |
| 150                 |                     |         | 1.5     | 150  |      |
| 200                 |                     |         | 1.5     | 200  |      |
| 250                 |                     | 0.5     |         | 250  |      |
| 300                 |                     | 0.5     |         | 300  |      |
| 400                 |                     | 0.5     |         | 400  |      |

**5A Secondary**

Accuracy conforms to IEC61869-2 & IEEE/ANSI C57.13 meets the measuring range from 1 to 120 % of In

### How to Order / Model Reference

eg **J S 3 2 L - 0 0 0 / 0 A**

|                              |                  |
|------------------------------|------------------|
| Model                        | <b>J S 3 2 L</b> |
| Primary Current              |                  |
| Select code from ratio table |                  |
| Secondary Current            | <b>5 A</b>       |

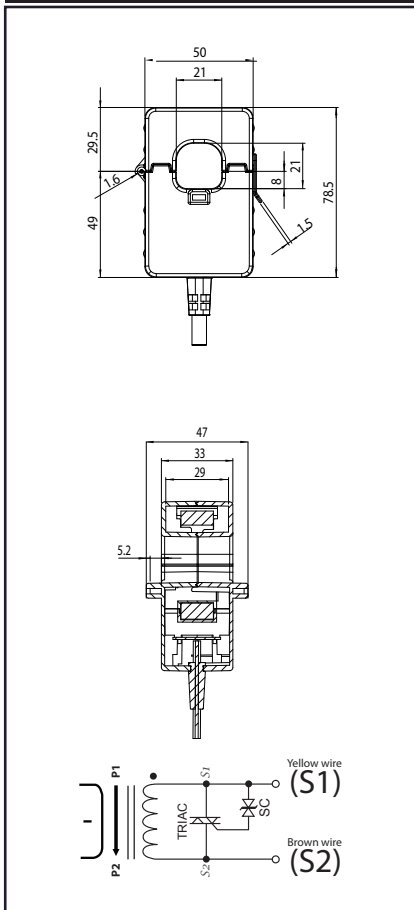
### Current Transformer Ratios

| Primary Current (A) | Metering Burden(VA) |         |         |      | Code |
|---------------------|---------------------|---------|---------|------|------|
|                     | cl. 0.5S            | cl. 1   | cl. 3   | Code |      |
|                     | cl. 0.6             | cl. 1.2 | cl. 2.4 |      |      |
| 200                 |                     |         | 2.5     | 200  |      |
| 250                 |                     | 0.5     |         | 250  |      |
| 300                 |                     | 0.5     |         | 300  |      |
| 400                 | 0.5                 | 2.5     |         | 400  |      |
| 500                 | 0.5                 | 2.5     |         | 500  |      |
| 600                 | 0.5                 | 5.0     |         | 600  |      |

**5A Secondary**

Accuracy conforms to IEC61869-2 & IEEE/ANSI C57.13 meets the measuring range from 1 to 120 % of In

### Dimensions



### Dimensions

