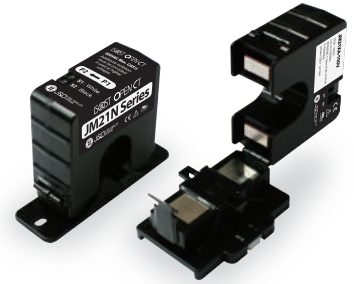




PRECISION SPLIT-CORE CURRENT TRANSDUCER

JM21XA-XXX-XXX Series

Split-core current transducer for the electronic measurement of AC waveform currents, with galvanic isolation between the primary circuit (power) and the secondary circuit (measurement). 0-5V DC, 0-10V DC, 4-20mA DC output proportional to the RMS value of the primary current.



MAIN CHARACTERISTICS

- Current transformer and RMS circuit in a single case
- Choice of primary current ranges: 5 to 250A RMS
- Choice of standard output types: 4-20mA, 0-5V or 0-10V
- Accuracy: <2% of nominal primary current
- Bandwidth: 50/60 Hz

APPLICATIONS

- Automation and Supervision
- Safety and Condition Monitoring
- HVAC & Pumps
- Refrigeration
- Small Industrial Motors
- Fans
- Lighting

FEATURES

- Self-powered and loop-powered versions
- Operating range: -20°C to +60°C
- Isolation test voltage : 3.5kV RMS / 50Hz / 1min
- Sensing aperture : 21mm(for non-contact measurement)
- UL94-V0 recognized materials

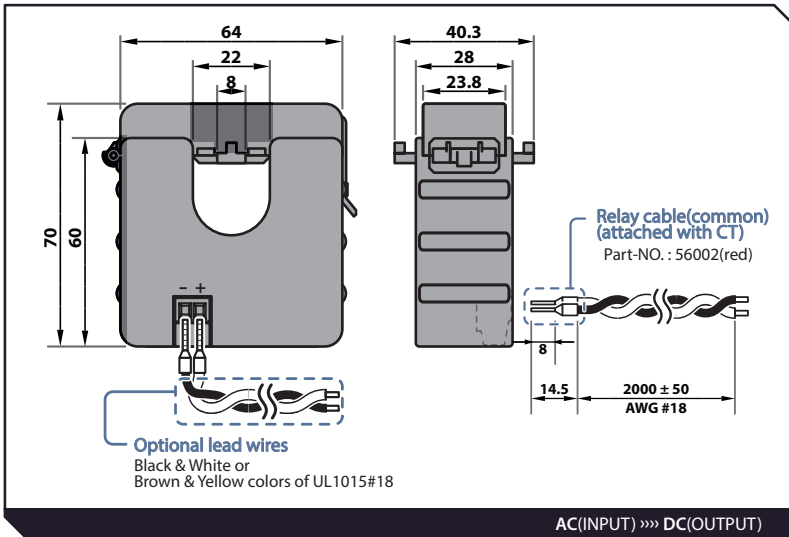
ADVANTAGES

- High isolation between primary and secondary circuits
- Compact case
- Cost-effective solution
- Easy installation

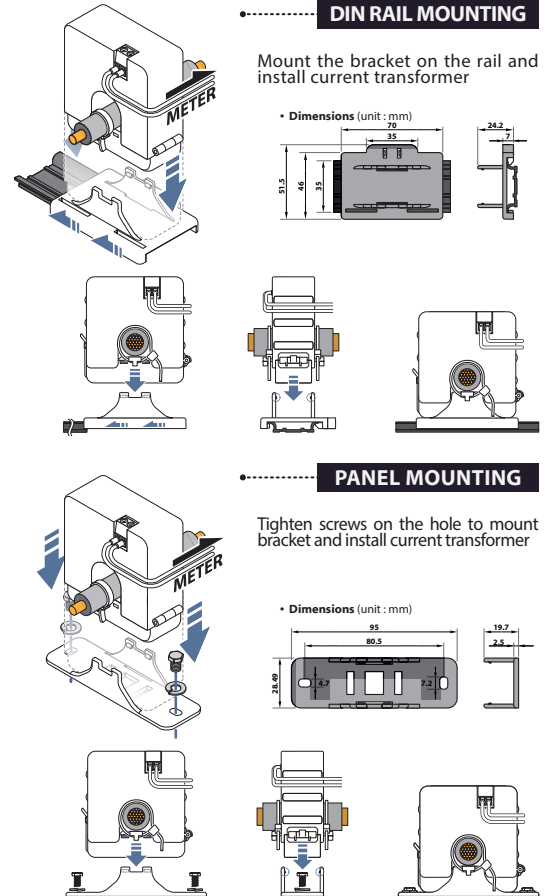
SPECIFICATION

Rated Current (A)	5, 10, 20, 25, 50, 75, 100, 150, 200, 250	
Model	Output	Electrical Data
JM21XA-XXX-V	0-5V DC	Output Impedance 5.8kΩ(Self Power) & Average output
JM21XA-XXX-VH	0-10V DC	Output Impedance 23kΩ(Self Power) & Average output
JM21XA-XXX-RMS	4-20mA DC	4~20mA DC (RMS)/0~Rated Current (Load resistance : ≤ 600Ω at P/S : 24V)

DIMENSIONS (UNIT : MM)

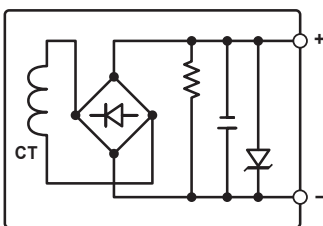


ACCESSORY OPTION



INTERNAL CIRCUIT DRAWING

• JM21XA-XXX-V/VH



• JM21XA-XXX-RMS

