

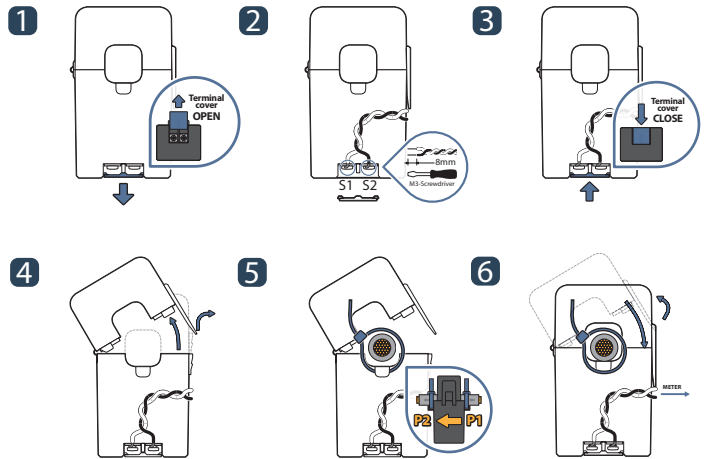


# SPLIT-CORE CURRENT TRANSFORMER

## JCXXF-XXXmA series



### HOW TO USE



The split-core current transformer design is used for energy efficiency monitoring and automation applications. This includes sub-metering cost allocation, dynamic energy consumption and peak load analysis. The JC series of current transformer is simple to use, compact split-core design which is easily installed for metering applications. This is ideal for distributed measurement systems and can be retro-fitted into existing installations and non-interruptible equipment as there is no requirement for disconnection and reconnection of wiring.

### APPLICATIONS

- Energy sub-meter
- Power meters
- Power quality monitoring
- HVAC&Pumps, etc
- Distributed measurement system

### FEATURES

- Nylon-spring, output-terminal, secure locking hinge, one-touch structure makes easy to install to the existent equipments such as a power distribution boards.
- Isolated plastic case recognized according to UL94-V0
- UL / EN 61010 -1 certified

### BENEFITS

- Small-size, light-weight
- Simple Installation
- Over-Voltage protection circuit is installed.

### NOTICE

- If you impact the core contact surface, internal core material could be damaged.
- Please use only the original output screws. Not recommended to replace it with anything else.
- Customizing output lead wire

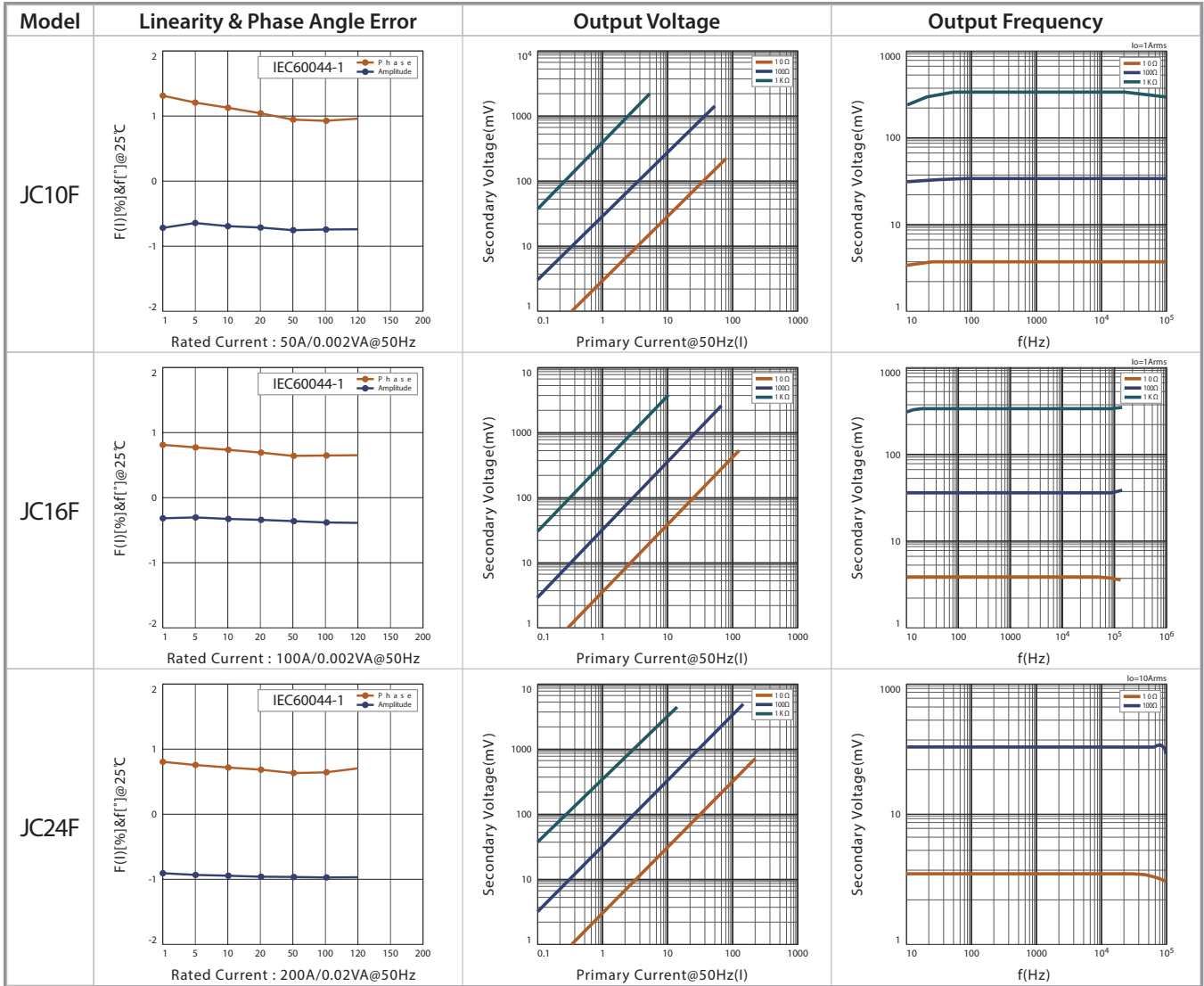
### SPECIFICATION

(F=50/60Hz)

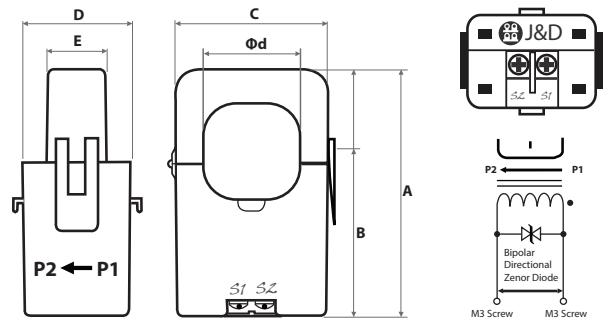
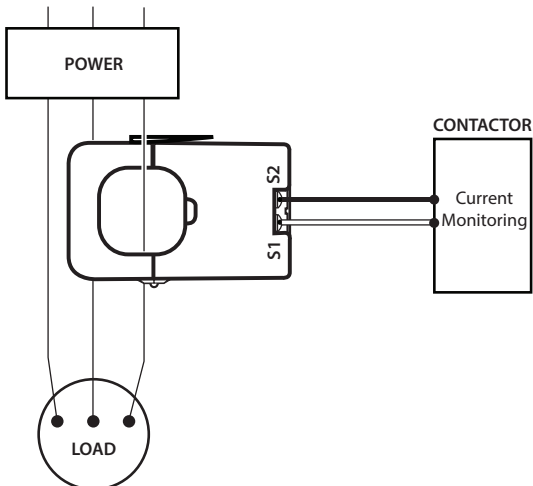
Model	JC10F Ø10	JC16F Ø16	JC24F Ø24
Current Ratio	50A/16.6mA	120A/40mA	200A/66.6mA
Current Range	0.1~80A (RL=10Ω)	0.1~120A (RL=10Ω)	0.1~200A (RL=10Ω)
Max Continuous Current	120A	200A	300A
Nominal Phase Angle Error	+1.5±1°	+1.0±1°	+1.0±1°
Nominal Linearity Error	-1±1%	-1±1%	-1±1%
Turns Ratio	3000:1	3000:1	3000:1
DCR	360±25Ω	280±20Ω	171±15Ω
Protection Level	7.5V0-P	7.5V0-P	7.5V0-P
Insulation Category	CATIII		
Operating Condition	-20°C~+50°C, ≤85%RH, No condensation, In-house & Any direction installable		
Storage Condition	-30°C~+90°C, ≤85%RH, No condensation		



## ACCURACY DATA



## APPLICATIONS / DIMENSIONS



Unit : mm

Model	A	B	C	D	E	Ød
JC10F	50	38	23	26	14.5	10
JC16F	55	41	29.5	31	19	16
JC24F	74.5	52	45	34	22	24