

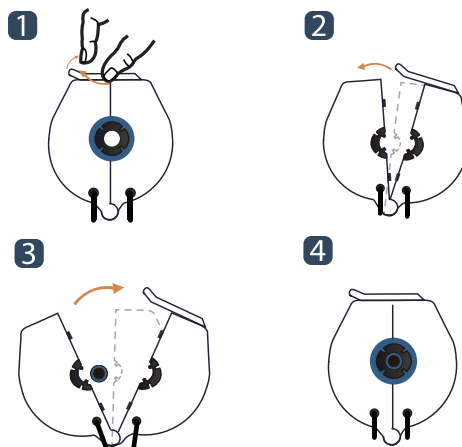


SPLIT-CORE CURRENT TRANSFORMER

JC08W-mA Series



HOW TO USE



APPLICATIONS

- Energy sub - meter
- Power meters
- Power quality monitoring
- HVAC&Pumps, etc
- Distributed measurement system

FEATURES

- $\varnothing 5 \sim \varnothing 8.5$ mm sensing aperture for non-contact measurement

BENEFITS

- Small-size, light-weight
- Simple Installation

NOTICE

- Core contact surface is waterproofed, however if it gets rusty, you could reuse after removing rusts with spraying WD-40 or CRC5-56 on the rusted side.
- Do not use any other chemicals except WD-40 or CRC5-56 on housing or any parts.
- Additionally, CTs are deliverable with customized output lead cable.
- Silicone rubber reducing sleeves for central positioning of thinner conductors (5.5mm~6.5mm) are optional available.

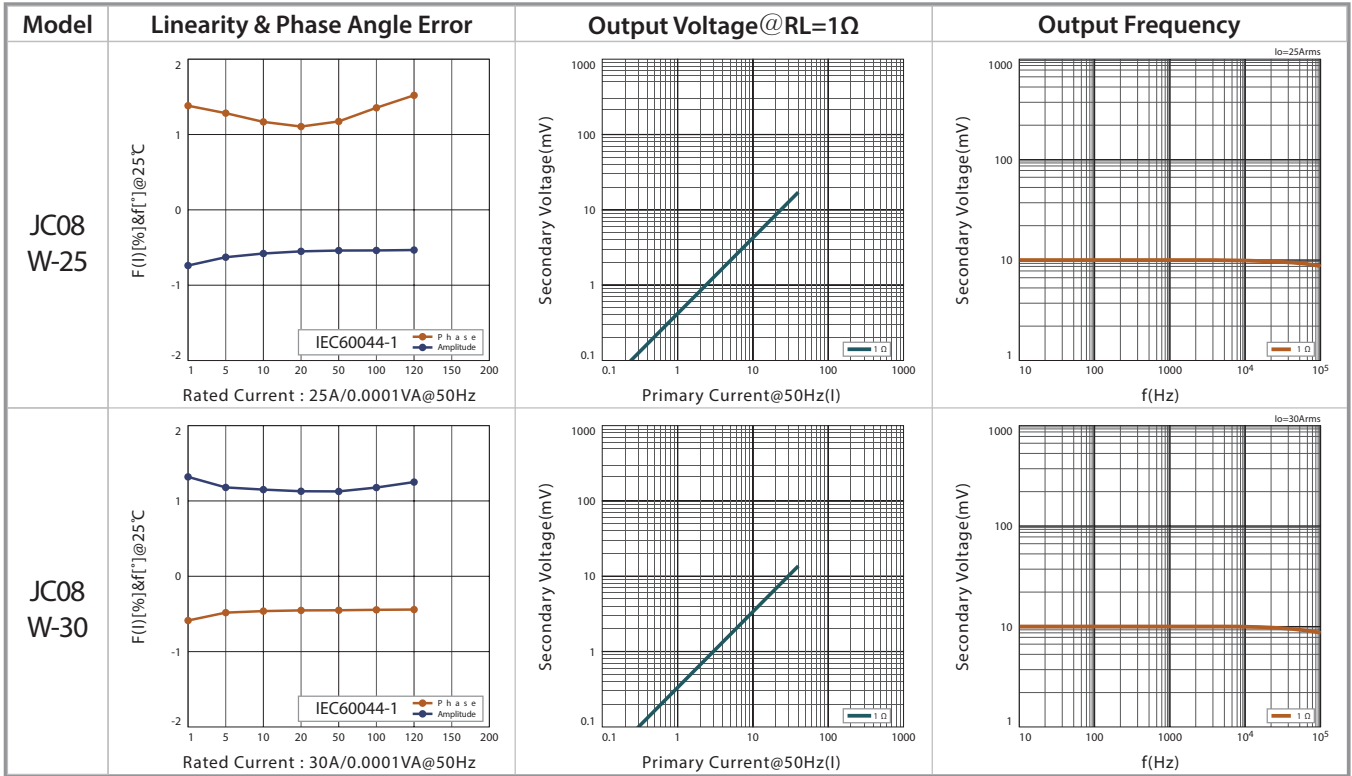
SPECIFICATION

(F=50/60Hz)

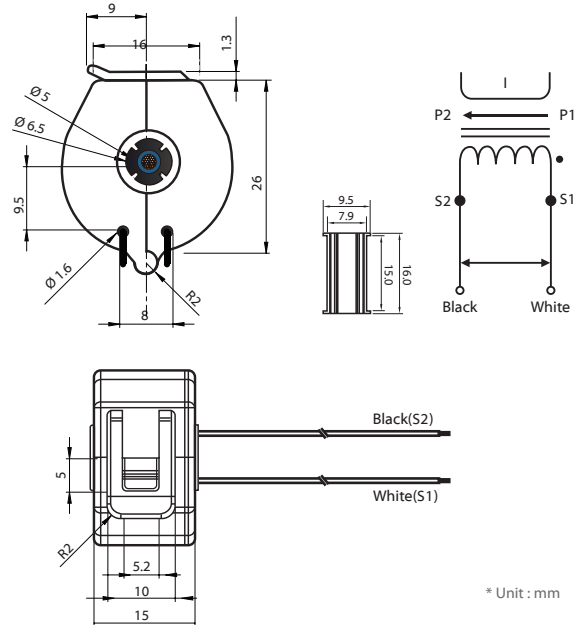
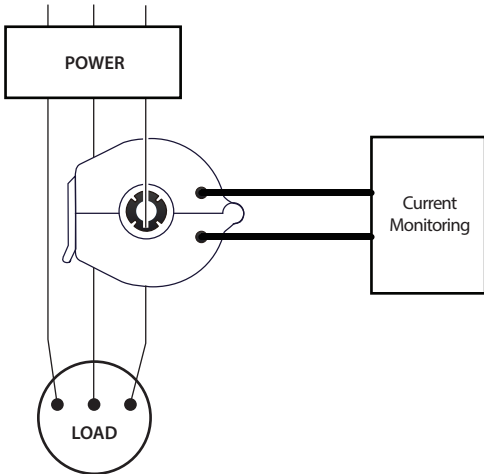
Model	JC08W-25 $\varnothing 8.5$	JC08W-30 $\varnothing 8.5$
Current Ratio	25A/10mA	30A/10mA
Current Range	0.01~42A (RL=1 Ω)	0.01~45A (RL=1 Ω)
Max Continuous Current	70A	70A
Nominal Phase Angle Error	+1 \pm 1 $^\circ$	+1 \pm 1 $^\circ$
Nominal Linearity Error	-1.5 ~ \pm 0.5%	-0.5 ~ \pm 1%
Turns Ratio	2500:1	3000:1
DCR	200 \pm 20 Ω	240 \pm 24 Ω
Protection Level	Over-voltage protection circuit is not included, please pay careful attention during installation.	
Insulation Category	CAT III 600V AC / PD2	
Operating Condition	-20 $^\circ$ C~+50 $^\circ$ C, \leq 85%RH, No condensation, In-house & Any direction installable	
Storage Condition	-30 $^\circ$ C~+90 $^\circ$ C, \leq 85%RH, No condensation	



ACCURACY DATA



APPLICATIONS / DIMENSIONS



* Unit : mm