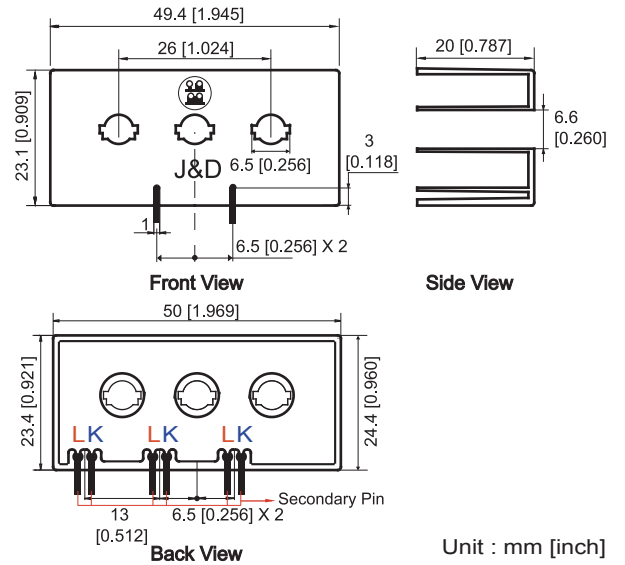
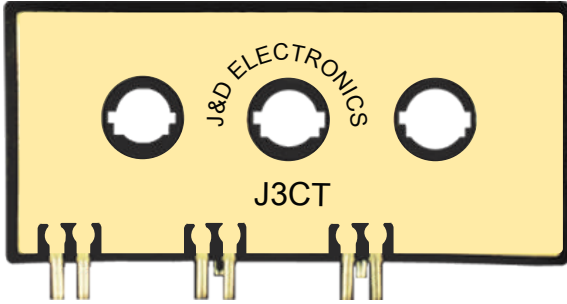




Current Transformer

J3CT

Dimension >>>>



Accuracy conforms to IEC 61869-2,
meets the measuring range from 1 to 120 % of I_n

Model	Primary Current Range		Error	Turns Ratio	Characteristical Value					Terminal Structure	Inner Dia.Ø
	Rated Current	Max Current	Phase Ø(l) [°]		I_{max} [Arms]	L [H]	R _{cu} [Ω]	R _B [Ω]	U _B [Vrms]		
J3CT	5	20	0.24	1:2500	5	110	135	10	0.02	Pin	6.5

>>>> Output Voltage Data

